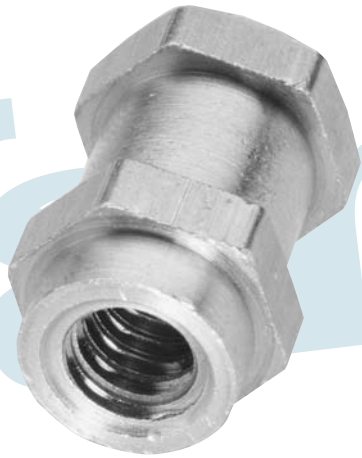


Yardley® Bi-Sert® Inserts

Designed to Provide Permanent Metal Threads in Molded Plastic Parts



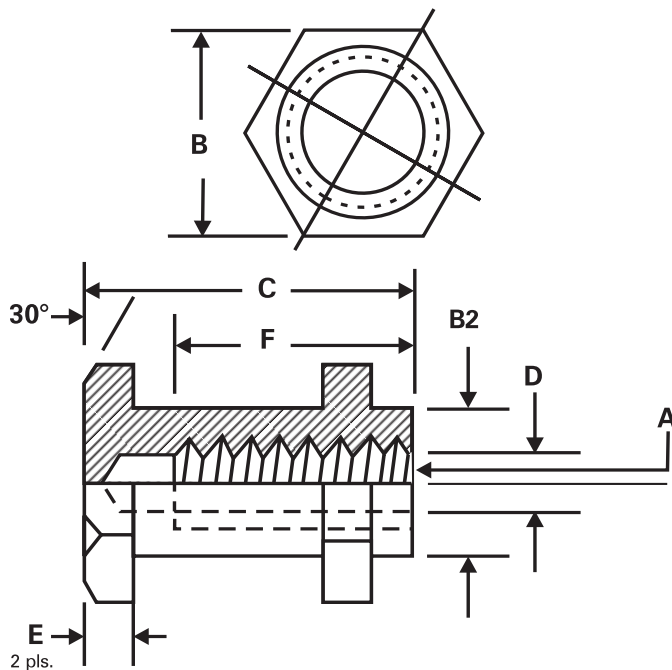
Advantages

- Hex shape provides exceptional torque and pull-out resistance
- Best design available for use in rotational molding
- Space between the hexes provides excellent flow characteristics, making it ideal for use with fiber-resin plastics
- Inside diameter is reamed for a smooth fit on locating pins

Available from stock in Brass

Custom sizes/materials available

The Yardley BI-SERT insert is designed to provide permanent metal threads in molded plastic parts. The unique hex shape provides exceptional torque and pull-out resistance.



U.S. Part Number	Metric Part Number	A U.S. Thread Size	A Metric Thread Size	B Outside Diameter	B2 Minor Diameter ±.005	C Length +.000 - .005	D U.S. +.0015 - .000	D Metric +.0015 - .000	E ±.003	F U.S. Minimum Number of Full Threads	F Metric Minimum Number of Full Threads
440BS6-10	3005BS6-10	4-40	M3.0 x 0.5	.187	.156	.313	.089	.100	.040	7-1/2	10-1/2
632BS7-12	3506BS7-12	6-32	M3.5 x 0.6	.218	.187	.375	.110	.117	.050	7-1/2	9-3/4
832BS8-13	4007BS8-13	8-32	M4.0 x 0.7	.250	.218	.407	.136	.133	.060	8	8
1024BS10-15		10-24		.312	.250	.469	.154		.070	6-1/2	
1032BS10-15	5008BS10-15	10-32	M5.0 x 0.8	.312	.250	.469	.161	.168	.070	9	9
25020BS14-22	6010BS14-22	1/4-20	M6.0 x 1.0	.437	.375	.687	.204*	.200*	.125	9-1/2	11
31218BS20-26	80125BS20-26	5/16-18	M8.0 x 1.25	.625	.500	.812	.261*	.267*	.155	9-1/2	10-1/2
37516BS22-30	10015BS22-30	3/8-16	M10.0 x 1.5	.687	.562	.937	.318*	.317*	.165	10	10

*Check with our engineering department for tolerances